



Air King
Central Vacuums®

USER'S GUIDE



CVS-11T Complete Home Turbine Package

IMPORTANT SAFETY INSTRUCTIONS

* **READ ALL INSTRUCTIONS** before using the turbine nozzle.

When using this appliance, basic precautions should always be followed, including the following:

WARNING: Electric shock could occur if used outdoors or on wet surfaces.

1. Unplug and disconnect power before servicing.
2. Always turn off this appliance before connecting or disconnecting either hose or turbine nozzle.
3. Do not vacuum up anything that is burning or smoking, such as cigarettes, matches, or hot ashes.
4. Do not pick up flammable or combustible liquids such as gasoline or use it in areas where they may be present.
5. Use only as described in this manual. Use only manufactures recommended attachments.
6. Do not handle system or appliances with wet hands.
7. Turn off all controls before unplugging hose from wall inlet.
8. Do not allow to be used as a toy. Pay close attention when used by or near small children.
9. The hose contains electrical wires. Do not use if damaged, cut, or punctured. Avoid picking up sharp objects.
10. Do not put any object into openings.
11. Do not use with any opening blocked; keep free of dust, lint, hair, and anything that may reduce air flow.
12. Keep hair, loose clothing, fingers, and all parts of the body away from openings and moving parts.
13. Unplug from wall outlet when not in use and before servicing.
14. If appliance is not working as it should, has been dropped, damaged, left outdoors, or dropped in water, return it to your distributor
15. Use extra care when cleaning on stairs.

SAVE THESE INSTRUCTIONS — INTENDED FOR HOUSEHOLD USE ONLY

SAVE THESE INSTRUCTIONS

CVS-11T Complete Home Package

Individual tools may vary and are subject to change at any time.



PACKAGE INCLUDES:

1. **99473** — 30ft. Low Volt Soft Grip 3200 Series Hose w/Friction Stub Tube
2. **34498** — Chrome Ratchet Wand
3. **35202** — Plastic Hose Hanger
4. **34905** — 12" Natural Bristle Hard Floor Brush.
5. **34828** — Dusting Brush
6. **34806** — Crevice Tool
7. **35290** — Upholstery Tool / 35312 — Slide-On
8. **35257** — Single Speed Baby Turbo
9. **34751** — Wand Clip-On Tool Caddy

35257 TURBINE

This turbine, with chevron agitator, is ideal for homes with high quality area rugs laid directly over hard floors where electric brushes can be too aggressive. This turbine must be used with the ratchet wand.

FEATURES INCLUDE:



Soft non-marring wheels on the cleaning shoe allow the tool to traverse a carpet's transition area, between the carpet and a hard surface, comfortably.



The only air-turbine with a cleaning shoe that keeps the brush parallel to the floor throughout the sweeping motion means better results.



A built-in air relief valve allows the tool to be adjusted to better match the vacuum and floor conditions.



1.25" (32mm) double swivel neck for maximum maneuverability while vacuuming.



Chevron brush pattern improves cleaning ability by drawing the dirt to the center of the brush where it is drawn away. A positive timing belt drive provides reliable performance.

SAVE THESE INSTRUCTIONS

This light turbine design has a 10 inch cleaning path for getting in and around furnishings with ease.



REMEMBER: As with all electric appliances, risk of shock is possible. Do not remove brush, pull wands out, or attempt maintenance while power is on.

WANDS



Wand fits easily into the neck of the turbine for an easy lock and release.



Nylon collar on the friction wand provides a positive fit to the hose handle and a clean finish, eliminating sharp edges.

OPERATION: Your turbine powerhead has no on/off switch. Whenever it is attached to an operating vacuum system, it will be running. No adjustments to the tool are necessary for different types of carpeting.

To insure maximum efficiency of the turbine powerhead, make sure that any filters, bags and cleaning hoses in your vacuum system are clean and free of blockage.

35257 TURBINE INSTRUCTIONS

INSTALLATION:

1. Read important safety instructions before installing the turbine nozzle.
2. Ensure your central vacuum is not running before installing the turbine nozzle.
3. Connect the telescopic wand to the turbine nozzle.

STORAGE:

1. Ensure vacuum cleaner is disconnected before unplugging turbine nozzle.
2. Disconnect wand from hose.
3. Remove turbine nozzle from the telescopic wand store turbine in a safe place.

CHANGING BELT:

1. Insure power has been switched off at the central vacuum unit.
2. Remove turbine nozzle from the telescopic wand.
3. Remove screws from bottom of turbine.
4. Remove base plate from turbine.
5. Replace brush roll.
6. Replace old belt with new belt.
7. Insert brush roll back into correct spot.
8. Replace base plate and put screw back in.

CHANGING BRUSH ROLL:

1. Insure power has been switched off at the central vacuum unit.
2. Remove turbine nozzle from the telescopic wand.
3. Remove screws from bottom of turbine nozzle.
4. Remove base plate from turbine nozzle.
5. Replace old brush roll with new brush roll.
6. Insert brush roll back into correct spot.
7. Replace base plate and put screw back in.

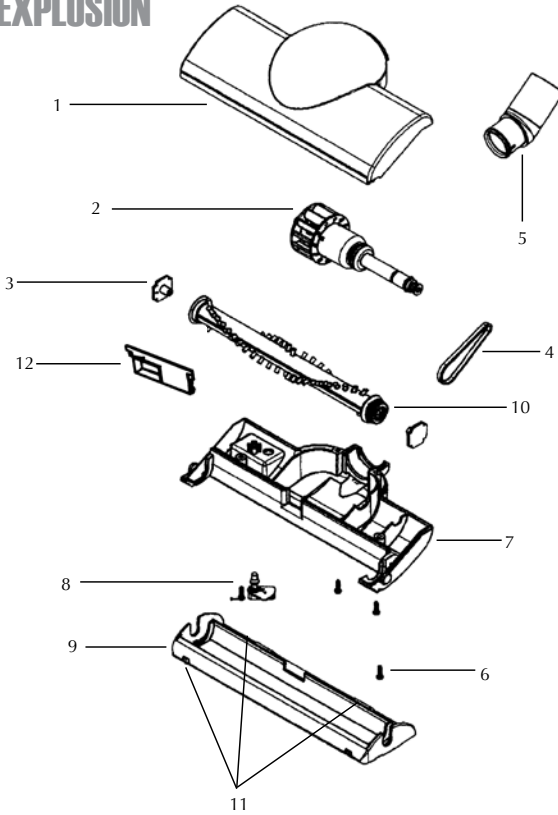
RATCHET WAND INSTRUCTIONS

The wand length is adjustable and requires no assembly. To adjust, simply push down on the wand and adjust button and slide to the desired height.



SAVE THESE INSTRUCTIONS

35257 EXPLOSION



DIAGRAM#	STOCK#	DESCRIPTION
1	37666	COVER
2	37699	TURBINE FOR SINGLE SPEED
3	37589	BEARING
4	37611	BELT
5	37809	NECK
6	44266	SCREW
7	37622	BASE
8	37798	AFR
9	37633	PIVOT FOOT
10	37644	BRUSH ROLL
11	37655	WHEELS ONLY
12	37677	SMALL SUCTION OPENING

For proper handling of your order please indicate stock number and descriptions.

LOW VOLTAGE CRUSH-PROOF HOSE

The “slimfit” style handle has 360° rotation to minimize kinks, effort, and in-hand weight. For use with the turbine nozzle.

HOSE HANDLING:

Hold the hose and handle in any way you find to be the most comfortable. With this new style handle, numerous hand positions are offered and reduce strain and increase ease of use.



Also, for added ease while vacuuming, try keeping the hose behind you rather than out in front of you. Use one hand to hold the handle and the other hand to hold and guide the hose. Again, do what feels comfortable to you.



TWO POSITION SWITCH:

Allows vacuum to be controlled from the handle

- Vacuum off
- Vacuum on

IMPORTANT:

Make sure power is turned **OFF** before removing the hose and handle from the wand. Arcing or damage to the electrical contacts can occur if the wand is removed while brush power is on.



Hose End:

This universal style wall end is designed for compatibility with all North American valves and inlets and fits the majority of European inlets as well. The positive locator system prevents rotation of the wall end in the valve defeating the total control switch in the handle.

SAVE THESE INSTRUCTIONS

CLEANING ATTACHMENTS AND TOOLS



PLASTIC HOSE HANGER:

- Use of hanger can increase the life of your hose and save space while storing.
- Coil your hose around this hanger to store when not in use.
- Mount on a wall in a closet, garage, or any other convenient location for hose storage, and place it high enough so you can loop your hose only four times and still clear the floor.
- Mounts using only one stud and two screws.

12" FLOOR BRUSH:

- Works well to clean bare floors, wood flooring, tile, etc.
- Shorter bristles in front, longer in back, allows larger dirt particles to be picked up with forward movement.



For best results, do not force the front of the brush down when moving forward. allow the brush to gently glide across the floor. The front of the brush should allow particles to enter through the raised bristles.



CREVICE TOOL:

- Tool reaches into cracks and crevices such as tracks of sliding glass doors, corners, along baseboards, and even in the cracks of couches and other furniture.
- Notched end helps maintain air flow and proper suction.
- This tool has flat sides which makes it great for reaching under refrigerators, around air conditioner coils, and other hard to reach places that collect a lot of dust and dirt.

DUSTING BRUSH:

- Use for dusting furnishings such as bookcases, tables, desks, and mantles.
- Also great for dusting picture frames, collectibles, tops of televisions, window sills, and even the backs of computer monitors.
- Full, natural bristles for gentle cleaning.



CLEANING ATTACHMENTS AND TOOLS



UPHOLSTERY TOOL WITH SLIDE-ON BRUSH:

- Cleans upholstered furniture, drapes, mattresses, and even works well on vehicle upholstery and carpets.
- The directional slide brush assures consistent fit and is detachable for aggressive cleaning.

TELESCOPIC WAND:

- Attach any of your standard suction tools such as the upholstery tool or dusting brush for whatever cleaning needs you may have.



TOOL CADDY:



- Adds portable convenience by allowing multiple tools to be carried on the wand for quicker and easier access.
- To attach: Snap caddy onto wand at an angle (beveled side first), then slip attachments and tools onto caddy pegs. when clipping it onto wand, attach it so that the two-peg side faces up, while the single-peg side faces down the wand. This will keep your tools on better.

Accessories shown may not be to scale.

SAVE THESE INSTRUCTIONS

For more details on these or any other AirKing products, contact your local Airking dealer or visit our websites at www.airkinglimited.com

Caring for your carpet.

“Proper maintenance will extend the time you can enjoy your carpet and help keep its fresh appearance. Vacuum regularly, remove spills promptly, and extraction clean periodically. Use a strong, well functioning vacuum cleaner with a powerful airflow, adjustable brushes, and an enclosed, high efficiency filtration bag. It is best to purchase a vacuum cleaner that bears the **CRI indoor Air Quality Testing Program label**, assuring that the cleaner will remove soil well, contain the dust within the machine, and protect the carpet’s appearance.”

—The Carpet & Rug Institute (CRI)

For more information on caring for your carpet, please visit the CRI website at www.carpet-rug.com

AIR KING AMERICA LIMITED WARRANTY:

WHAT THIS WARRANTY COVERS: This product is warranted against defects in workmanship and/or materials.

HOW LONG THIS WARRANTY LASTS: This warranty extends only to the original purchaser of the product and lasts for one (1) year from the date of original purchase or until the original purchaser of the product sells or transfers the product, whichever first occurs.

WHAT AIR KING WILL DO: During the warranty period, Air King will, at its sole option, repair or replace any part or parts that prove to be defective or replace the whole product with the same or comparable model.

WHAT THIS WARRANTY DOES NOT COVER: This warranty does not apply if the product was damaged or failed because of accident, improper handling or operation, shipping damage, abuse, misuse, unauthorized repairs made or attempted. This warranty does not cover shipping costs for the return of products to Air King for repair or replacement. Air King will pay return shipping charges from Air King following warranty repairs or replacement **ANY AND ALL WARRANTIES, EXPRESSED OR IMPLIED (INCLUDING, WITHOUT LIMITATION, ANY IMPLIED WARRANTY OF MERCHANTABILITY), LAST ONE YEAR FROM THE DATE OF ORIGINAL PURCHASE OR UNTIL THE ORIGINAL PURCHASER OF THE PRODUCT SELLS OR TRANSFERS THE PRODUCT, WHICHEVER FIRST OCCURS AND IN NO EVENT SHALL AIR KING’S LIABILITY UNDER ANY EXPRESS OR IMPLIED WARRANTY INCLUDE (I) INCIDENTAL OR CONSEQUENTIAL DAMAGES FROM ANY CAUSE WHATSOEVER, OR (II) REPLACEMENT OR REPAIR OF ANY HOUSE FUSES, CIRCUIT BREAKERS OR RECEPTACLES. NOTWITHSTANDING ANYTHING TO THE CONTRARY, IN NO EVENT SHALL AIR KING’S LIABILITY UNDER ANY EXPRESS OR IMPLIED WARRANTY EXCEED THE PURCHASE PRICE OF THE PRODUCT AND ANY SUCH LIABILITY SHALL TERMINATE UPON THE EXPIRATION OF THE WARRANTY PERIOD.**

Some states and provinces do not allow limitations on how long an implied warranty lasts, or the exclusion or limitation of incidental or consequential damages, so these exclusions or limitations may not apply to you. This warranty gives you specific legal rights. You may also have other rights which vary from state to state and province to province. Proof of purchase is required before a warranty claim will be accepted.

CUSTOMER SERVICE:

Toll-Free (800) 465-7300

Our Customer Service team is available to assist you with product questions, service center locations, and replacement parts. They can be reached Monday through Friday, 8am-4pm Eastern. Please have your model number available, as well as the type and style (located on the label inside of your product). Please do not return product to place of purchase.

www.airkinglimited.com

PARTS FOR DISCONTINUED, OBSOLETE AND CERTAIN OTHER PRODUCTS MAY NOT BE AVAILABLE. DUE TO SAFETY REASONS, MANY ELECTRONIC COMPONENTS AND MOST HEATER COMPONENTS ARE NOT AVAILABLE TO CONSUMERS FOR INSTALLATION OR REPLACEMENT.

CONTACT



Location Information
Corporate Headquarters for
United States division:

820 Lincoln Avenue
West Chester, PA 19380
Ph. 800.465.7300

#F51064